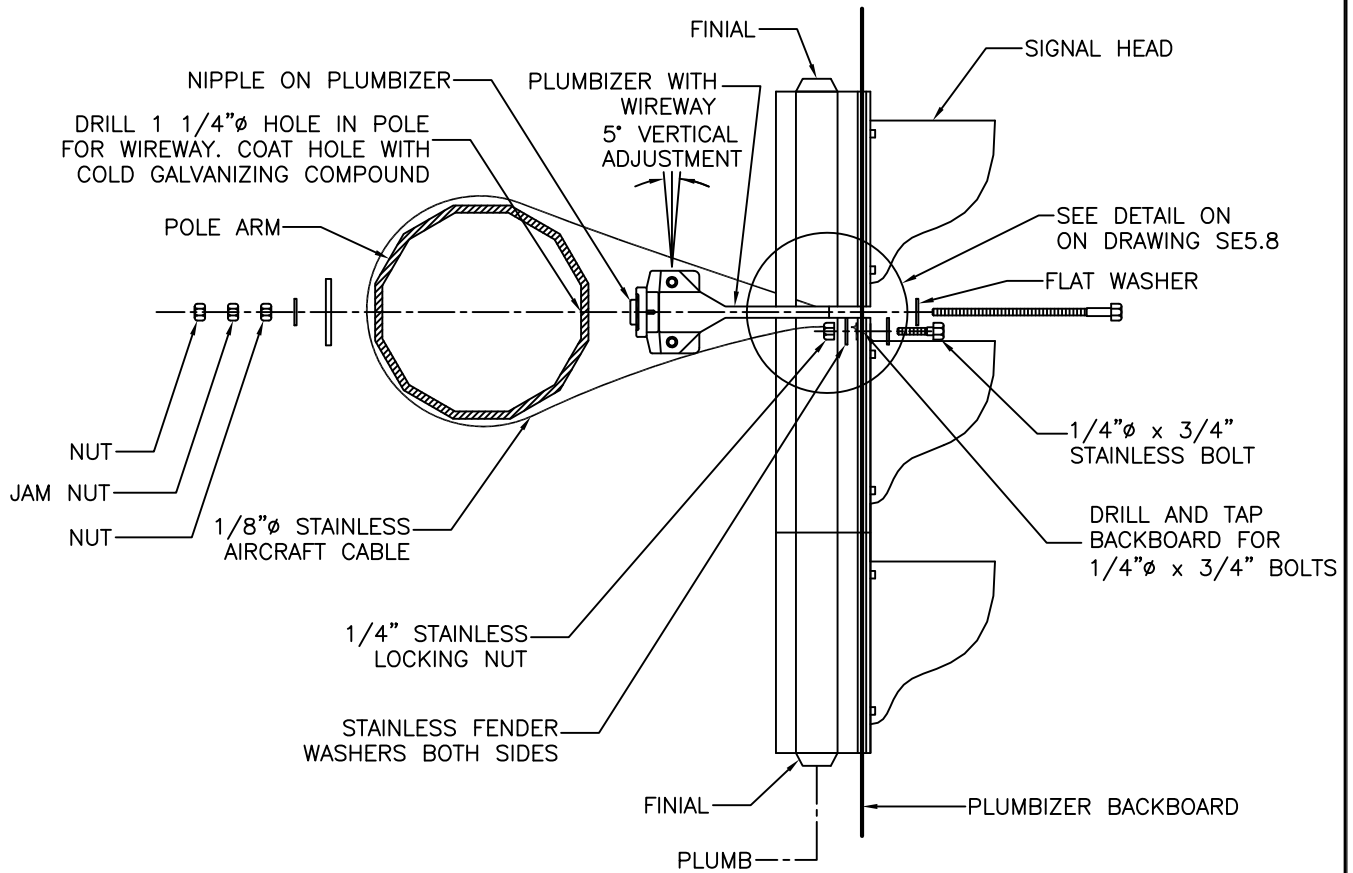


TOP VIEW



ELEVATION

NOTES:

1. REFER TO CONTRACT DRAWINGS AND SECTION 34 41 13 FOR DETAILED SPECIFICATIONS.
2. AIM SIGNAL HEADS AS DIRECTED BY CONTRACT ADMINISTRATOR.

NO.	DATE	REVISION	DESCRIPTION	BY	APP
3	FEB 12		SAFETY CABLE / FASTENER	DAR	RD
2	JAN 11		PLATINUM UPDATE	DAR	GC
1	09/07		CHANGE TITLE	JD	DM

MID SPAN OVERHEAD  
SIGNAL MOUNTING  
(PLUMBIZER METHOD)

CITY OF KAMLOOPS