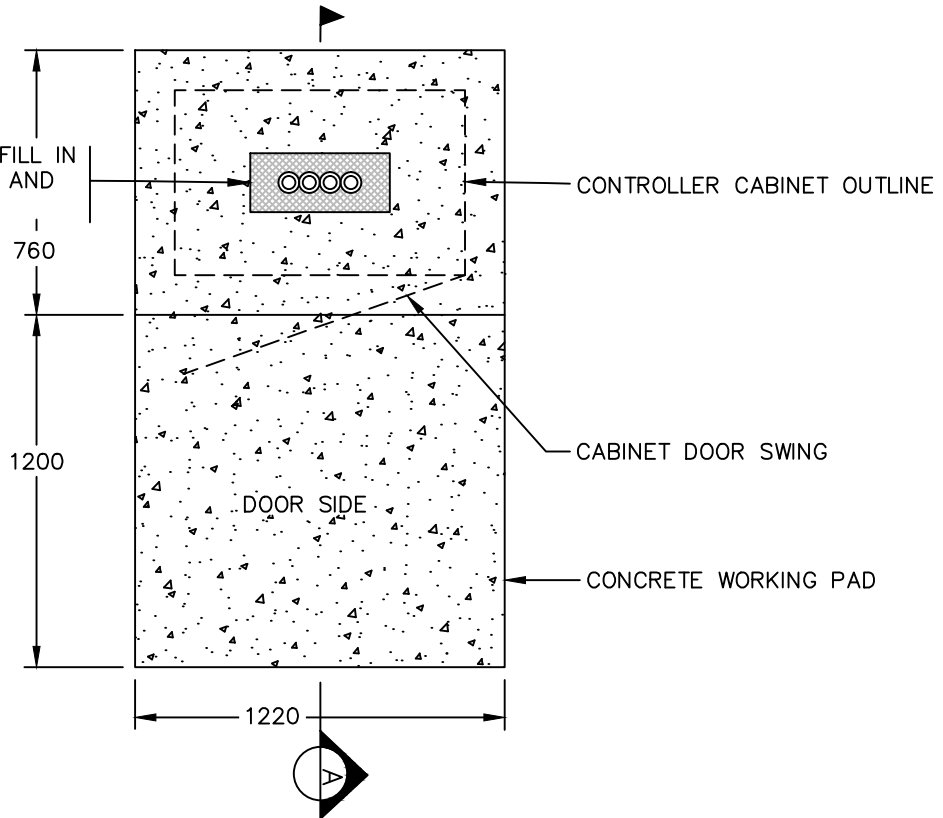




AFTER CONDUITS ARE INSTALLED FILL IN VOID WITH SAND OR PEA GRAVEL AND GROUT LAST 20mm



TOP VIEW

STRIP JACKET OFF SIGNAL CABLES 100mm ABOVE CONCRETE. NEATLY ARRANGE AND BUNDLE.

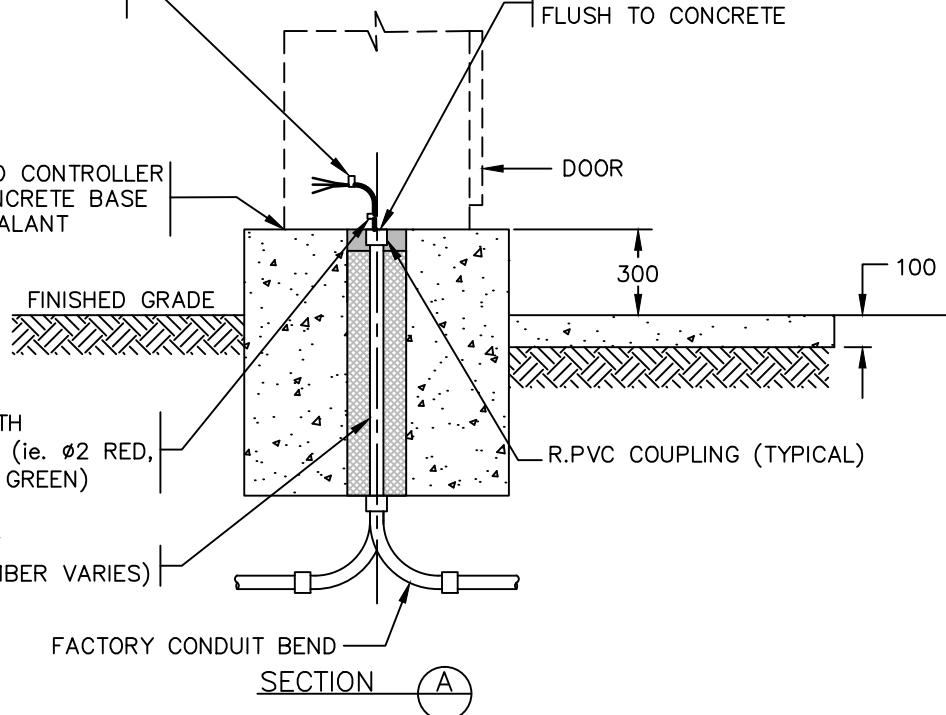
SEAL ALL AROUND CONTROLLER CABINET AND CONCRETE BASE WITH SILICONE SEALANT

ALL CONDUITS TO BE FLUSH TO CONCRETE

LABEL SIGNAL CABLES WITH CORRECT PHASING COLOR (ie. $\phi 2$ RED, $\phi 4$ BLUE, $\phi 6$ YELLOW, $\phi 8$ GREEN)

R.PVC CONDUIT (SIZE AND NUMBER VARIES)

FACTORY CONDUIT BEND



NOTES:

1. REFER TO CONTRACT DRAWING SECTION 34 41 13 FOR DETAILED SPECIFICATIONS.
2. ALL DIMENSIONS IN MILLIMETRES UNLESS OTHERWISE NOTED.
3. MAINTAIN SHIELDING ON LOOP CABLES TO TERMINALS. CONNECT DRAIN WIRE AT TERMINALS.
4. REFER TO DRAWING SE1.2 FOR TYPE P & M (NEMA CABINET) CONCRETE CONTROLLER BASE.

CONTROLLER INSTALLATION
(FOR TYPE P AND M
CABINETS)

CITY OF KAMLOOPS

NO.	DATE	REVISION DESCRIPTION	BY	APP
1	JAN15	ADD DIMENSIONS & NOTE 4	DAR	PP

DWN. BY: DAR

CHK'D BY: P.Pouliotte

SCALE: N.T.S.

DATE: 11/02/21

DWG. NO.: SE1.4

REV.: 1