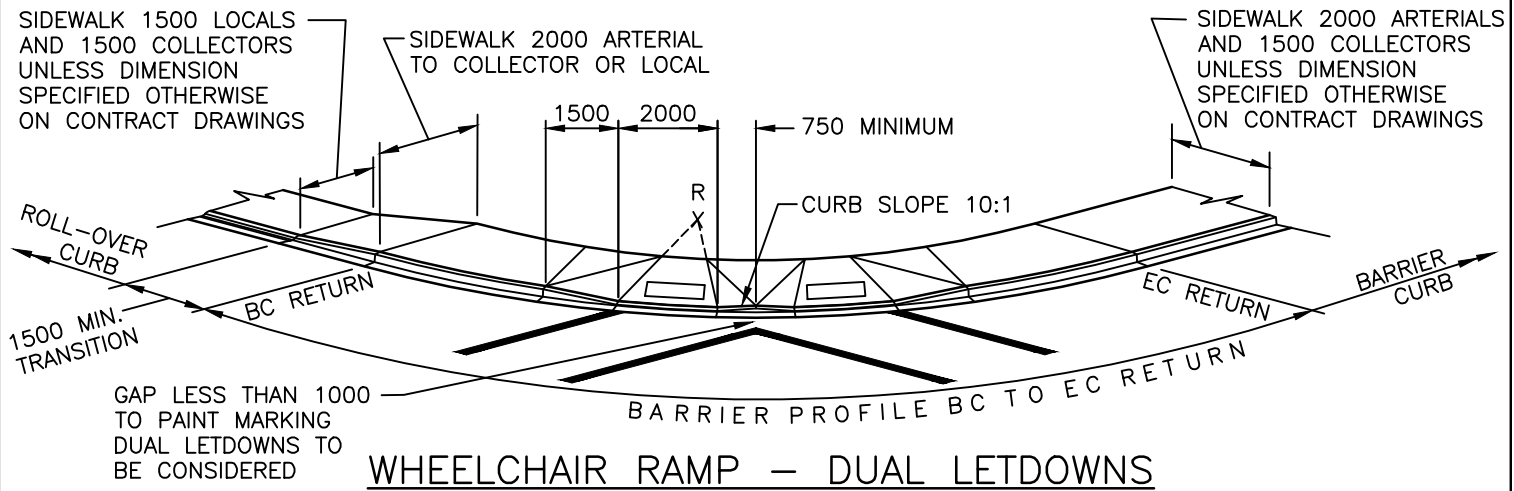
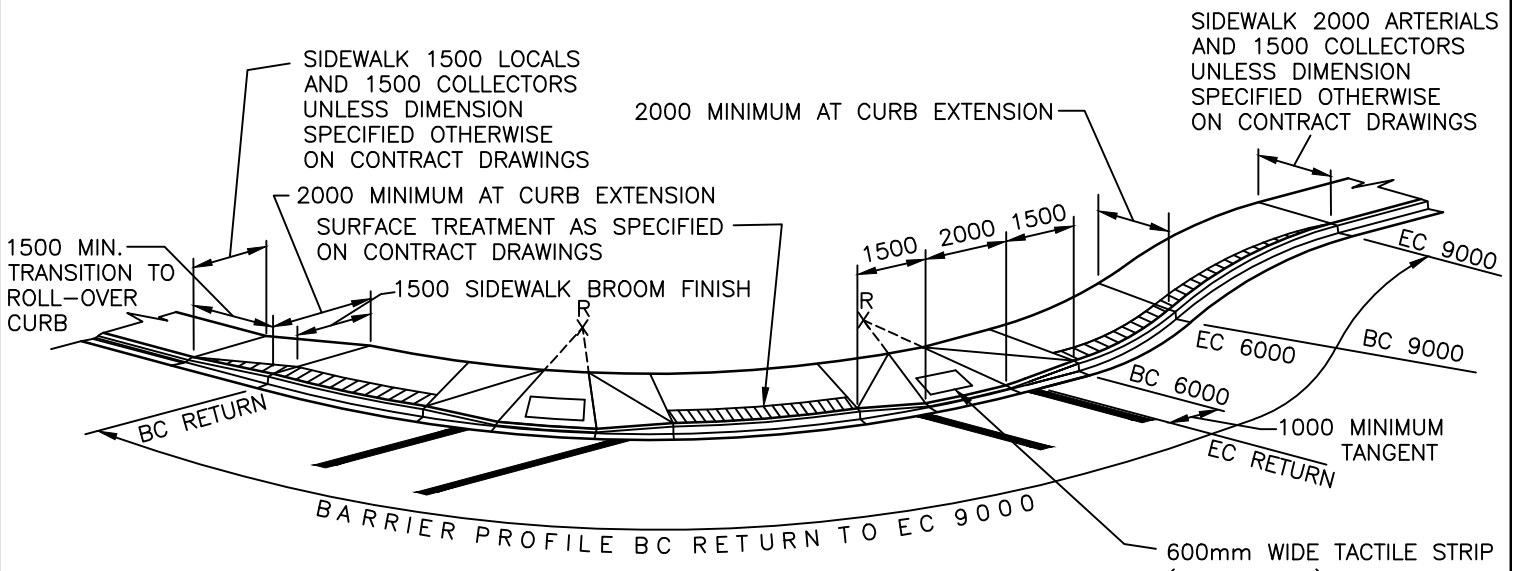


### WHEELCHAIR RAMP – SINGLE LETDOWN



### WHEELCHAIR RAMP – DUAL LETDOWNS



### WHEELCHAIR RAMP – CURB EXTENSION

NOTES: 1. TACTILE WARNING STRIPS MAY BE REQUIRED AT CERTAIN HIGH TRAFFIC LOCATIONS AS REQUIRED BY COK TRAFFIC DIVISION. WHERE POSSIBLE ROTATE STRIP SUCH THAT LONG EDGE IS PERPENDICULAR TO DIRECTION OF CROSSWALK. REFER TO CONTRACT DRAWING FOR ORIENTATION.

NOT TO SCALE

No.	DATE	REVISION DESCRIPTION	BY	APP
5	SEP2022	REVIEWED AND UPDATED 2022	MWB	JdH
4	APR2022	REVIEWED AND UPDATED 2022	IP	JdH
3	FEB2019	REVIEWED AND UPDATED 2019	DAR	JdH

## WHEELCHAIR RAMP



Canada's Tournament Capital

REV. 5  
DWG. No. SC8/9