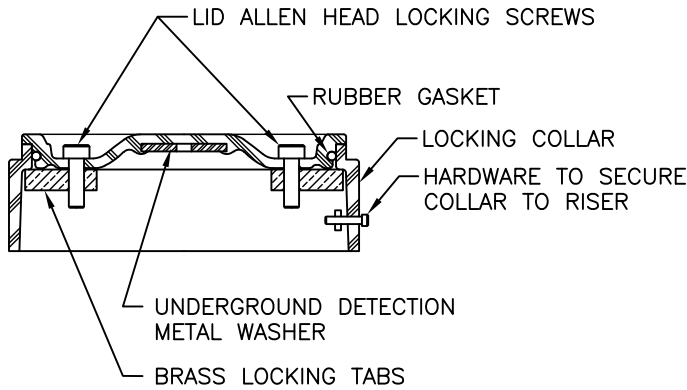
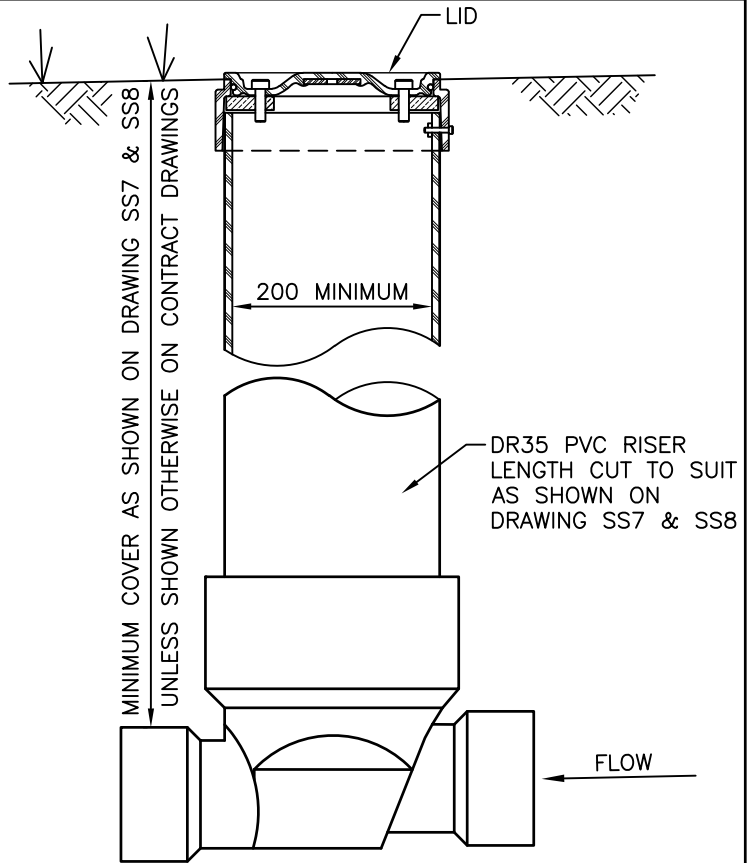


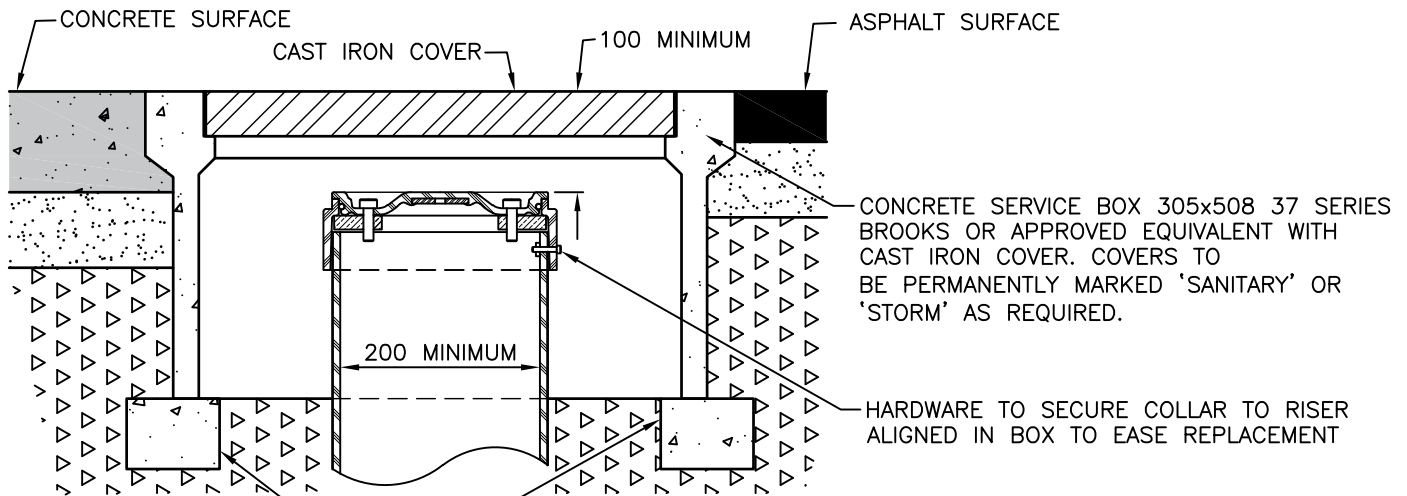
LID (USE RED FOR SANITARY AND GREEN FOR STORM)



LID DETAIL



INSTALLATION IN BOULEVARD



INSTALLATION IN DRIVEWAY, LANE OR SIDEWALK

- NOTES:
1. REFER TO DRAWINGS SS7 & SS8 FOR INSTALLATION REQUIREMENTS.
 2. INSPECTION CHAMBER TO BE APPROVED MANUFACTURED FITTING.
 3. REFER TO CONTRACT DRAWINGS FOR SITE SPECIFIC DIMENSIONS AND SECTION 33 30 01 FOR DETAILED SPECIFICATIONS.
 4. WHEN INSPECTION CHAMBER IS LOCATED IN DRIVEN OR HARD PEDESTRIAN SURFACE IT MUST BE IN A CHAMBER CAPABLE OF WITHSTANDING H2O LOADING AND HAVE A SOLID REMOVABLE LID.
 5. PLUG IS NOT TO BE PROVIDED

NOT TO SCALE

No.	DATE	REVISION DESCRIPTION	BY	APP
3	APR2022	REVIEWED AND UPDATED 2022	IP	JDh
2	FEB2019	REVIEWED AND UPDATED 2019	DAR	JDh

**INSPECTION CHAMBER FOR
SANITARY AND STORM SEWER
CONNECTIONS**



DWG. No. **SS9**
REV. **3**