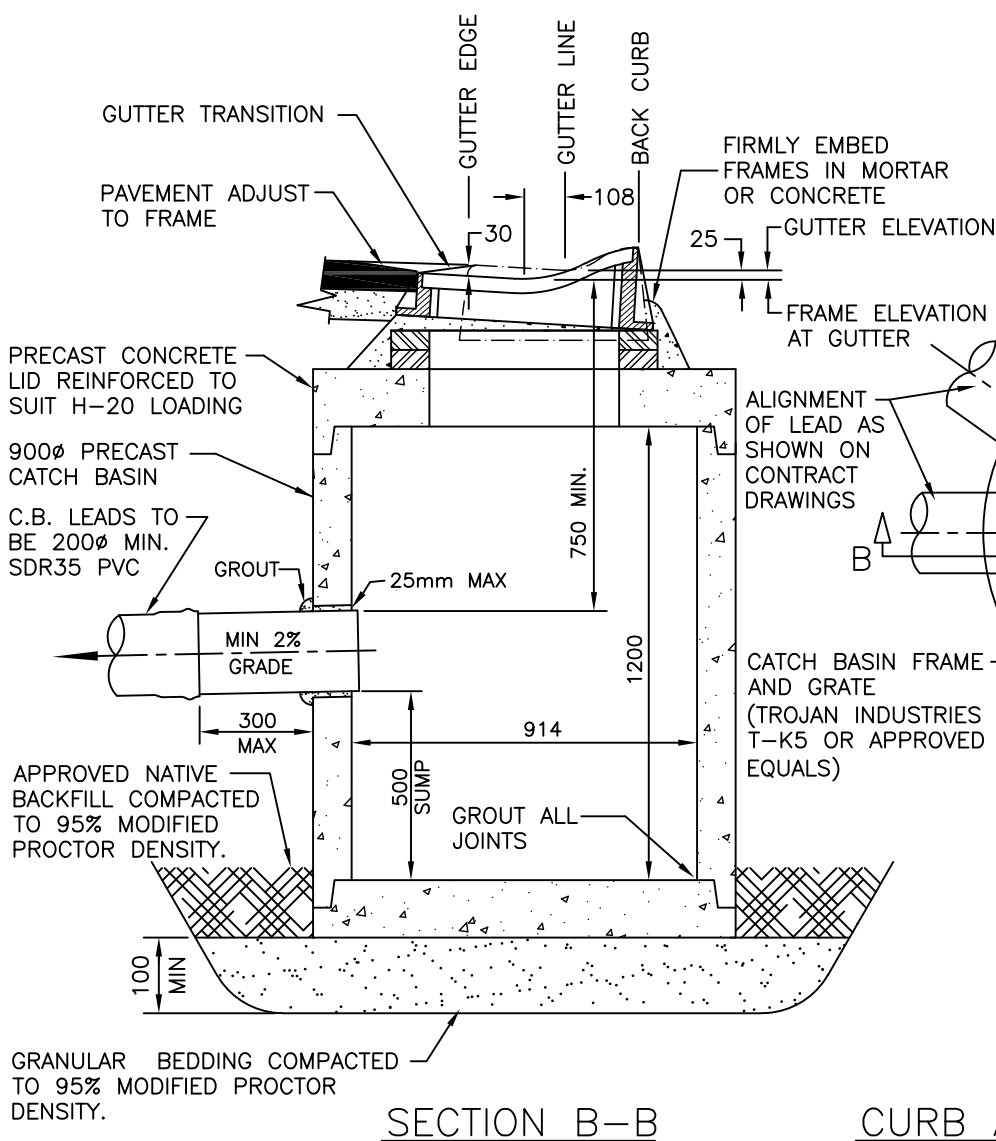
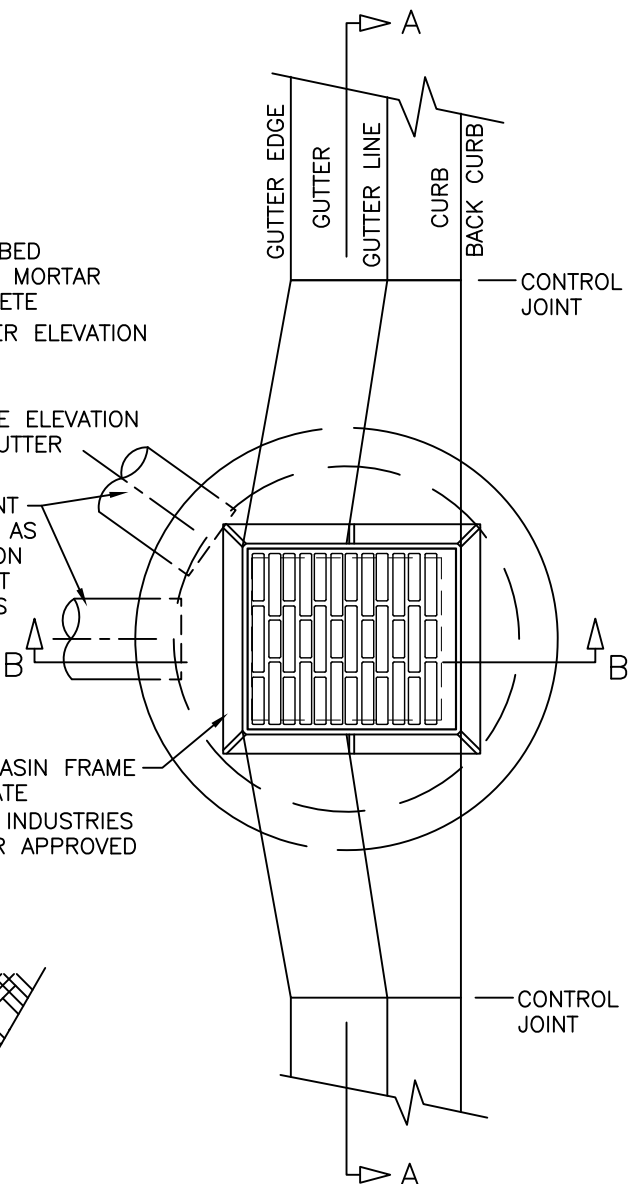


SECTION A-A



SECTION B-B



CURB AND GUTTER TRANSITION

- NOTES:
1. PRECAST UNITS c/w BASE, APPROVED BY CONTRACT ADMINISTRATOR, ARE ACCEPTABLE.
 2. CATCH BASIN LEADS TO EXTEND NO MORE THAN 20mm INTO BARREL.
 3. REFER TO CONTRACT DRAWINGS AND SECTION 33 44 01 FOR DETAILED SPECIFICATIONS.

NOT TO SCALE

No.	DATE	REVISION DESCRIPTION	BY	APP
3	MAR2022	REVIEWED AND UPDATED 2022	IP	JDh
2	JUN2019	GUTTER TRANSITION JOINT TYPE	DAR	JDh
1	JAN2019	REVIEWED AND UPDATED 2019	DAR	JDh

CATCH BASIN TYPE III



DWG. No. SS11C 3
REV. 3