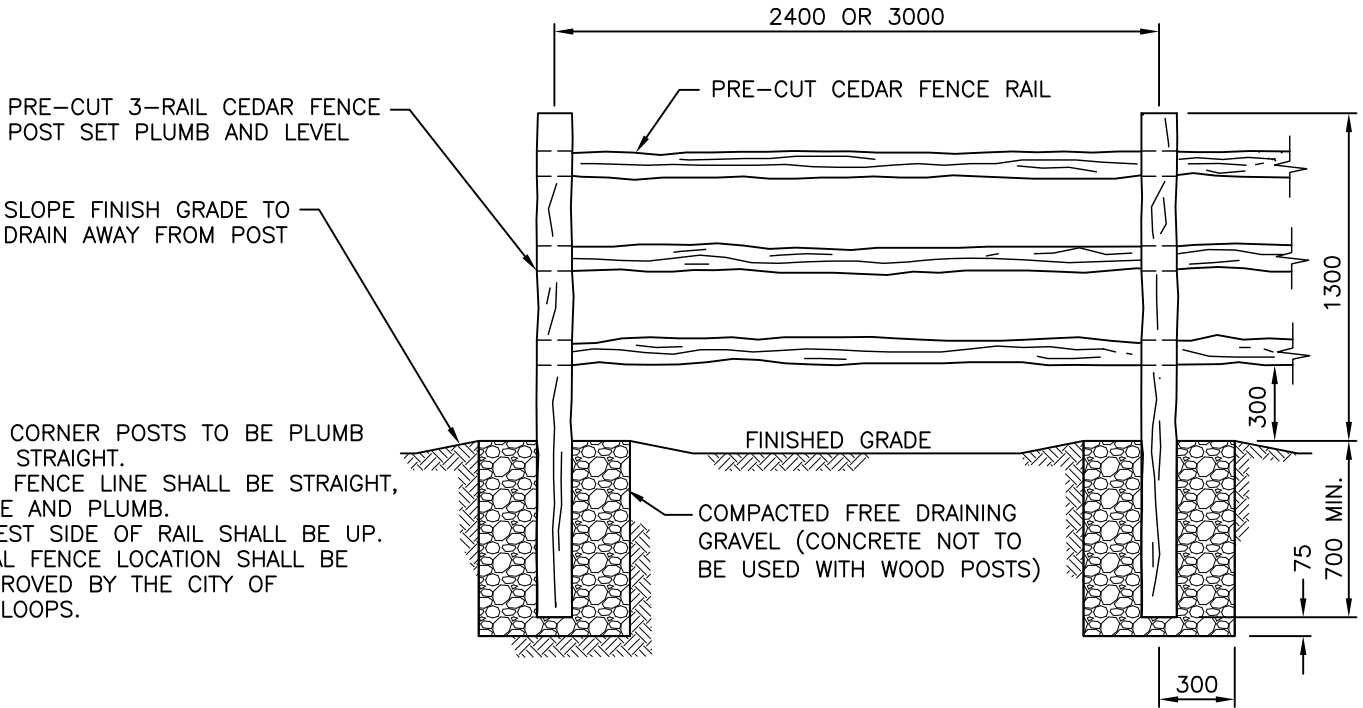


NOTES:

1. WOODEN MEMBERS TO BE PRESSURE TREATED FIR OR CEDAR OR AS APPROVED.
2. THE FENCE SHALL BE STRAIGHT, TRUE AND PLUMB,
3. THE TOP OF THE FENCE SHALL BE TRIMMED IN A STRAIGHT LINE OR MAY BE TRIMMED TO CONFORM TO THE TOPOGRAPHY. TRIMMED TOPS SHALL BE COATED WITH AN APPROVED WATER SEALANT.
4. VERTICAL PLANKS SHALL FACE PATH/TRAIL AND SHALL BE COATED WITH APPROVED WATER SEALANT.
5. RAIL NAILS TO BE 85 COATED MIN. 2 PER CONNECTION, PICKET NAILS TO BE 40 COATED MIN. 3 PER CONNECTION.
6. REFER TO CONTRACT DRAWINGS FOR ADDITIONAL DETAILS AND SPECIFICATIONS.

PLANK FENCE



NOTES:

1. ALL CORNER POSTS TO BE PLUMB AND STRAIGHT.
2. THE FENCE LINE SHALL BE STRAIGHT, TRUE AND PLUMB.
3. WIDEST SIDE OF RAIL SHALL BE UP.
4. FINAL FENCE LOCATION SHALL BE APPROVED BY THE CITY OF KAMLOOPS.

SPLIT RAIL FENCE

NOT TO SCALE

No.	DATE	REVISION DESCRIPTION	BY	APP
3	FEB2022	REVIEWED AND UPDATED 2022	IP	JDh
2	FEB2019	REVIEWED AND UPDATED 2019	DAR	JDh

WOODEN FENCE FOR MULTI-USE PATHWAYS



DWG. No. SC15 3
REV. 3