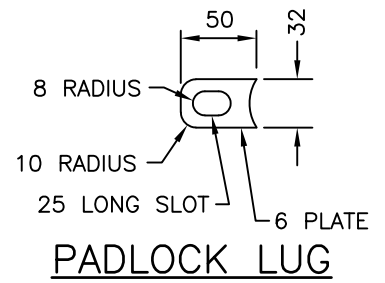
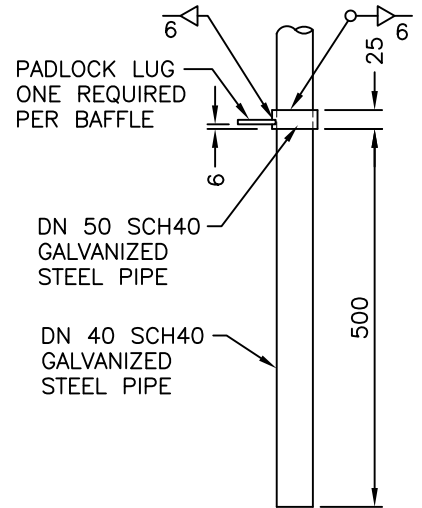


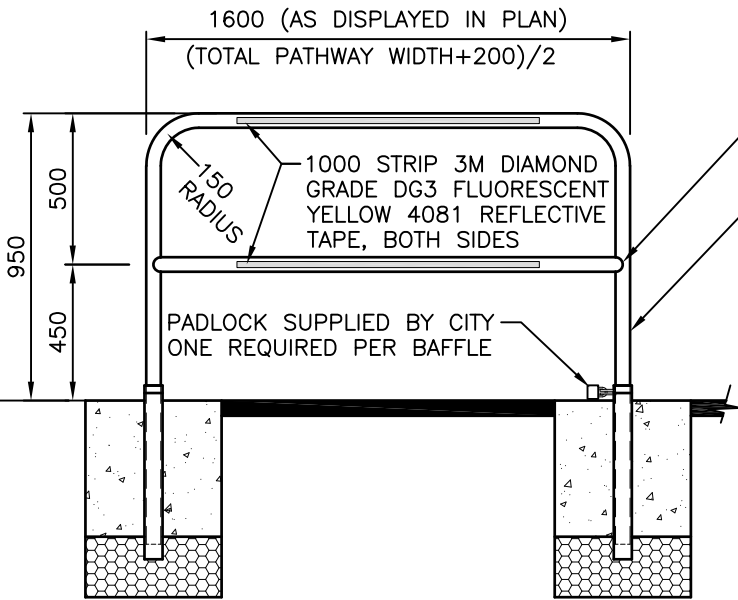
BAFFLE PLACEMENT PLAN



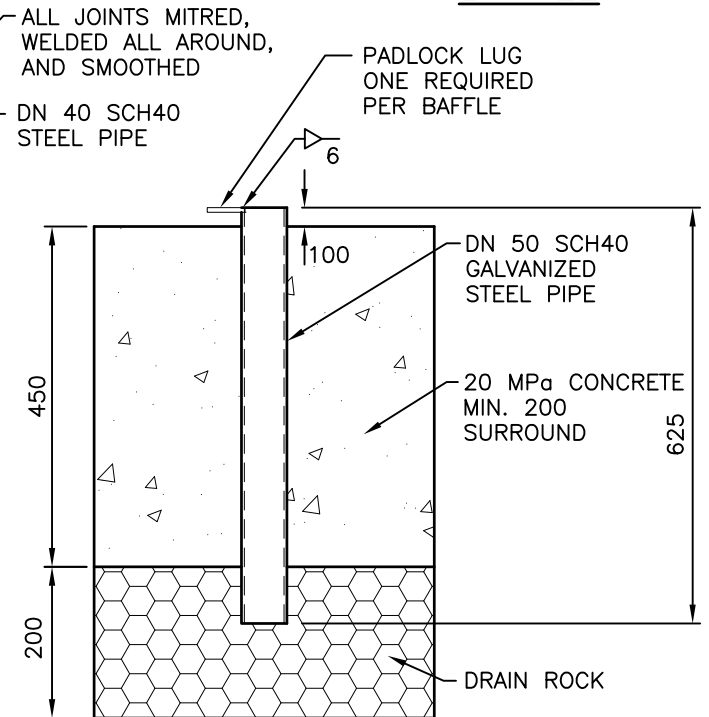
PADLOCK LUG



BAFFLE



BICYCLE BAFFLE DETAIL



SLEEVE

NOTE: 1. REFER TO CONTRACT DRAWINGS AND SECTION 32 31 13 FOR DETAILED SPECIFICATIONS.
 2. ALL COMPONENTS TO BE HOT DIPPED GALVANIZED.

NOT TO SCALE

BICYCLE BAFFLE



DWG. No. **SC114**
 REV. 4

No.	DATE	REVISION DESCRIPTION	BY	APP
4	FEB2022	REVIEWED AND UPDATED 2022	IP	Jdh
3	JAN2019	REVIEWED AND UPDATED 2019	DAR	Jdh