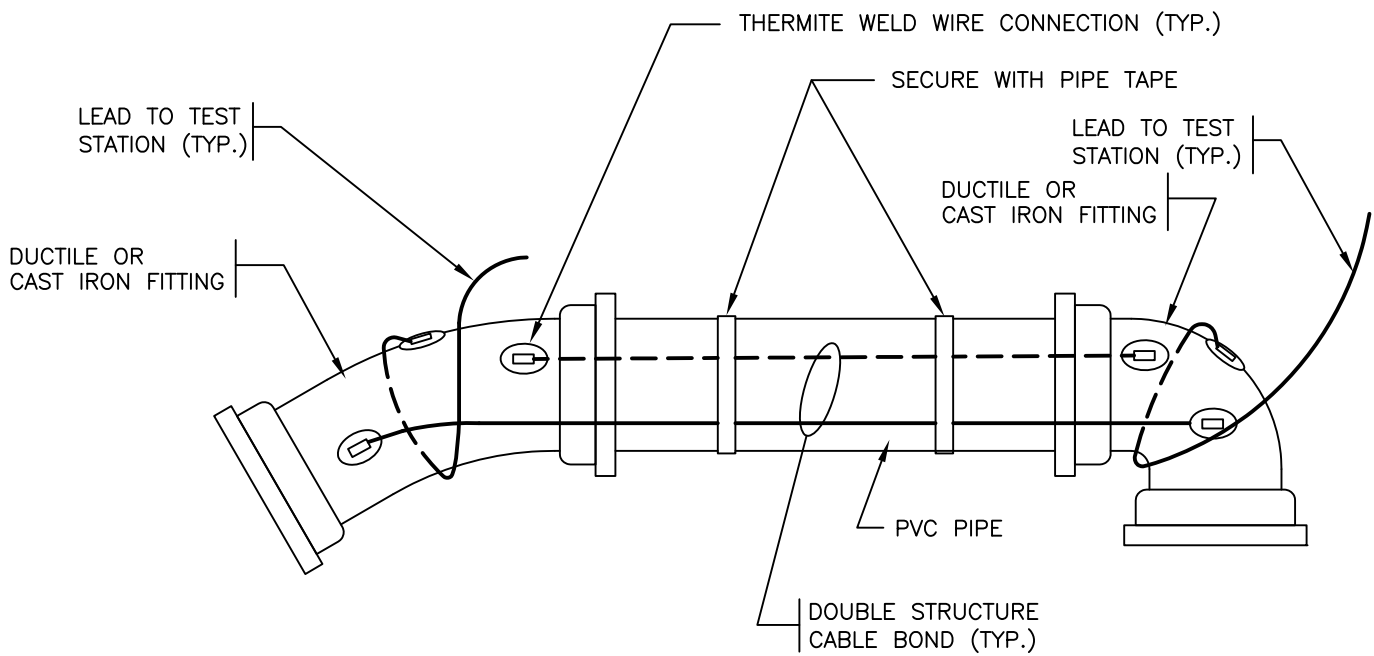


Canada's Tournament Capital



**STRUCTURE CABLE
BOND DETAIL**

CITY OF KAMLOOPS

NO.	DATE	REVISION	DESCRIPTION	BY	APP

DWN. BY: DAR

CHK'D BY: GC

SCALE: N.T.S.

DATE: 11/FEB/25

DWG. NO.: **SW107**

REV.: