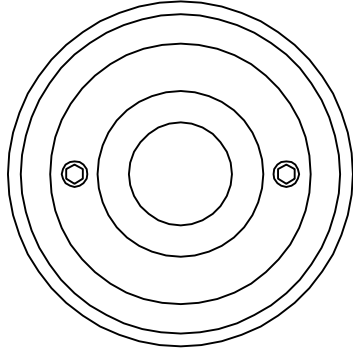
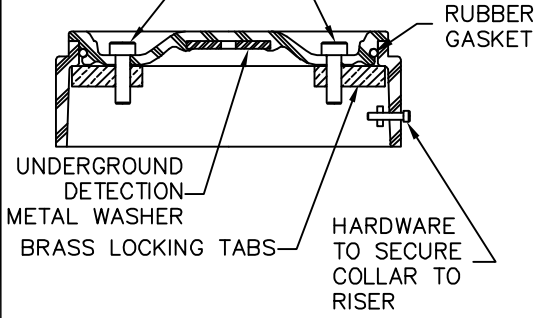




LID (USE RED FOR SANITARY AND GREEN FOR STORM)

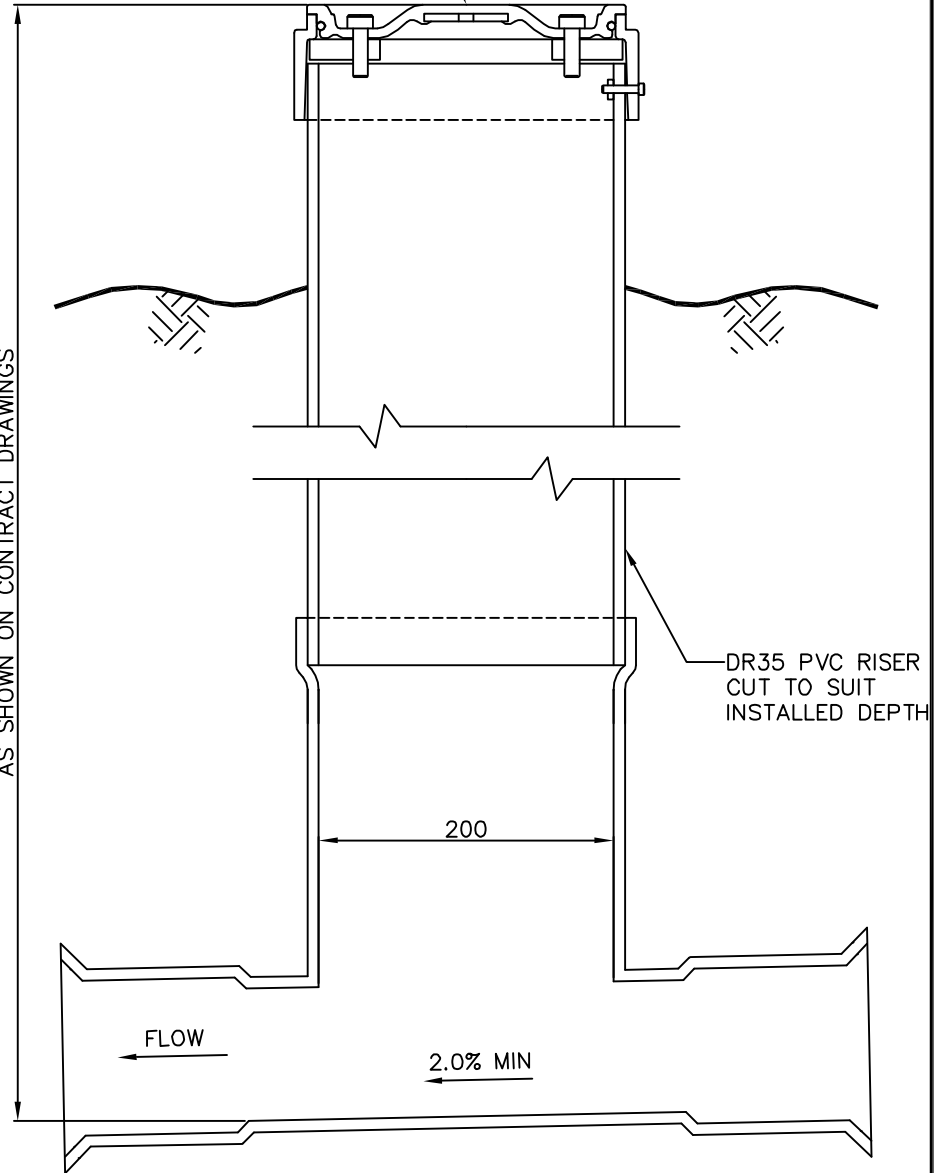


LID ALLEN HEAD LOCKING SCREWS



LID DETAIL

AS SHOWN ON CONTRACT DRAWINGS



INSTALLATION IN BOULEVARD

NOTES:

1. REFER TO DRAWING SS7 & SS8 FOR INSTALLATION REQUIREMENTS.
2. INSPECTION CHAMBER TO BE APPROVED MANUFACTURED FITTING.
3. REFER TO CONTRACT DRAWINGS FOR SITE SPECIFIC DIMENSIONS AND SECTION 33 30 01 FOR DETAILED SPECIFICATIONS.
4. WHEN INSPECTION CHAMBER IS LOCATED IN DRIVEWAY OR ROADWAY IT MUST BE INSTALLED WITHIN A CHAMBER CAPABLE OF WITHSTANDING H2O LOADING AND HAVE A REMOVABLE SOLID LID.

1	DEC 10	CAP DETAIL, PLATINUM UPDATE	DAR	GC
NO.	DATE	REVISION	DESCRIPTION	BY APP
DWN. BY: TH		CHK'D BY: DM		SCALE: N.T.S.

INSPECTION CHAMBER FOR
100 TO 150 SANITARY &
STORM SEWER CONNECTIONS

CITY OF KAMLOOPS

DWG. NO.: **SS9**

REV.:1

DATE: 07/03/16